



CENTLEC

Reg No 2003/011612/07

Private Bag x14, Brandhof, 9324 30 Rhodes Avenue, Oranjesig, Bloemfontein, 9301	Tel no: +27 (0) 51-412 2692 Fax no: +27 (0) 51-405 8532
Contact Person: Me. P.K. Sease E-mail:Puleng.Sease@centlec.co.za	Date 10 November 2015
Our Ref.: C28 /2015	

QUOTATIONS ARE HEREBY INVITED TO SUPPLY ATTACHED SCHEDULE.

FOR FURTHER INFORMATION CONTACT: C C GUTHRIE @ 051 409 2456

CLOSING DATE: 18 November 2015 @11 H: 00

The following conditions will apply:

- The quotation must be submitted on the letterhead of your business
- **Delivery** must be in accordance with instructions from this office.
- Quote item number as well as **delivery** (ex. stock/or ex Jhb 7 days).
- **Discount** for 30 days payment.
- Price must exclude **VAT**, but **delivery charges** must be **included**.
- The lowest or any quotation will not necessarily be accepted and Centlec reserves the right to accept where applicable a portion of any quotation.
- Payments will only be made to the company **whose name** appears on the official order, no third party will be considered.
- Price(s) quoted must be valid for at least thirty (30) days from date of your offer.
- Price(s) quoted must be firm and must be **exclusive** of **VAT** but **inclusive** of **delivery charges**.
- This quotation will be evaluated in terms of the 80/20 preference point system as prescribed in the Preferential Procurement Policy Framework Act (No 5 of 2000).
- **Please ensure that you complete 80/20 MBD forms failure to submit may invalidate your offer**
- A valid original Tax Clearance Certificate should accompany your offer. Failure to submit may invalidate your offer.
- Centlec reserved the right to request samples if need be.
- **NB: All suppliers are requested to submit certified copy BBBEE** Certificate with the quotation on the closing dates in order to substantiate their claim.
- **NB: All suppliers intending to do business with Centlec State Owned Company must ensure that they are registered in the Centlec State Owned supplier database, if not registered, forms are available at Centlec Supply Chain Office and also on the centlec State Owned company website: www.centlec.co.za under menu icon (available bids).**
- **No official order will be issued to a supplier not registered on the Centlec State Owned Company Supplier database...**

NB: No quotations will be considered from persons in the service of the state.

Failure to comply with these conditions may invalidate your offer.

QUOTATIONS to be collected and submitted as follows:

1. To be collected at 195 Nelson Mandela Drive College Square (Telkom Building) and submitted In a sealed envelope, with **QUOTATION NUMBER**.



Directors: ML Mbali (Chairperson), FP Zitha (Deputy Chairperson), TAJ Mongake, N Mokhesi, KM Moroka, SM Zimu, SG Xulu, ZC Uwah, NA Mgoqi (CEO) LG Kritzinger (COO), TJ Ramulondi (CFO)



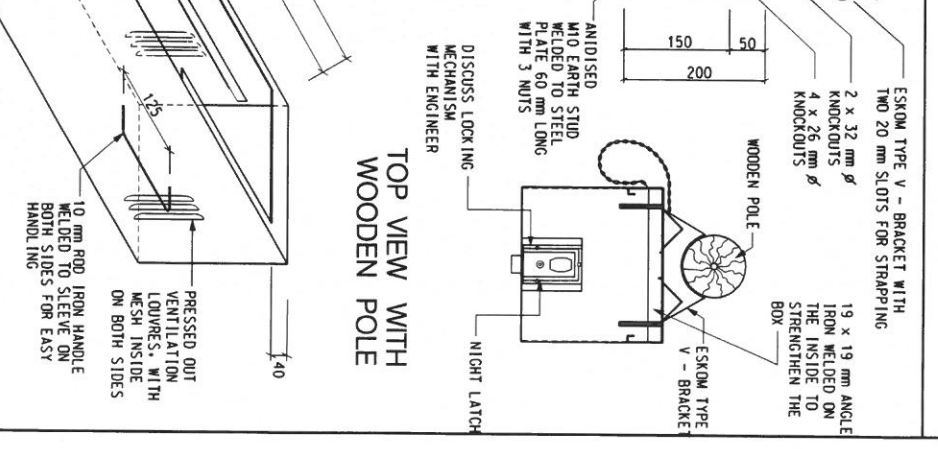
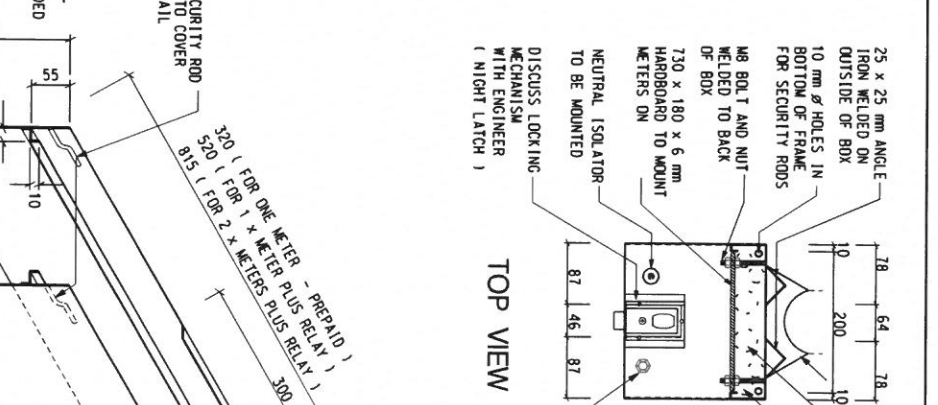
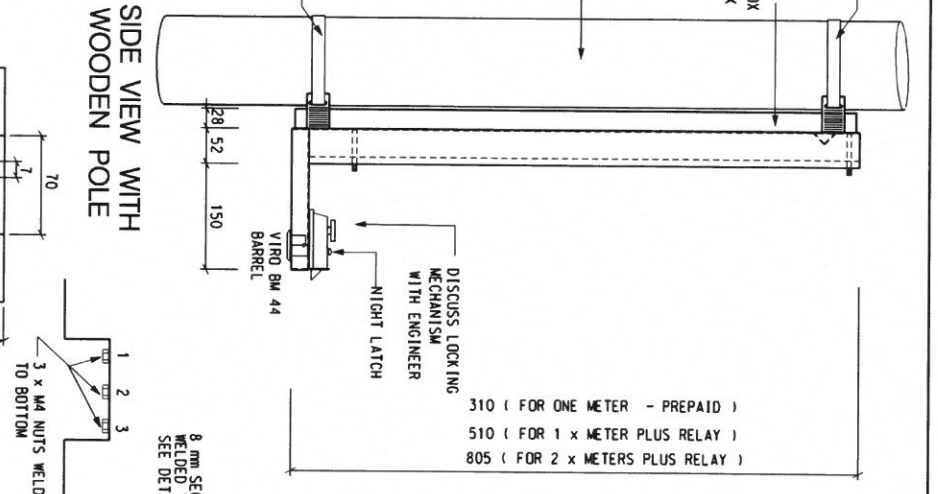
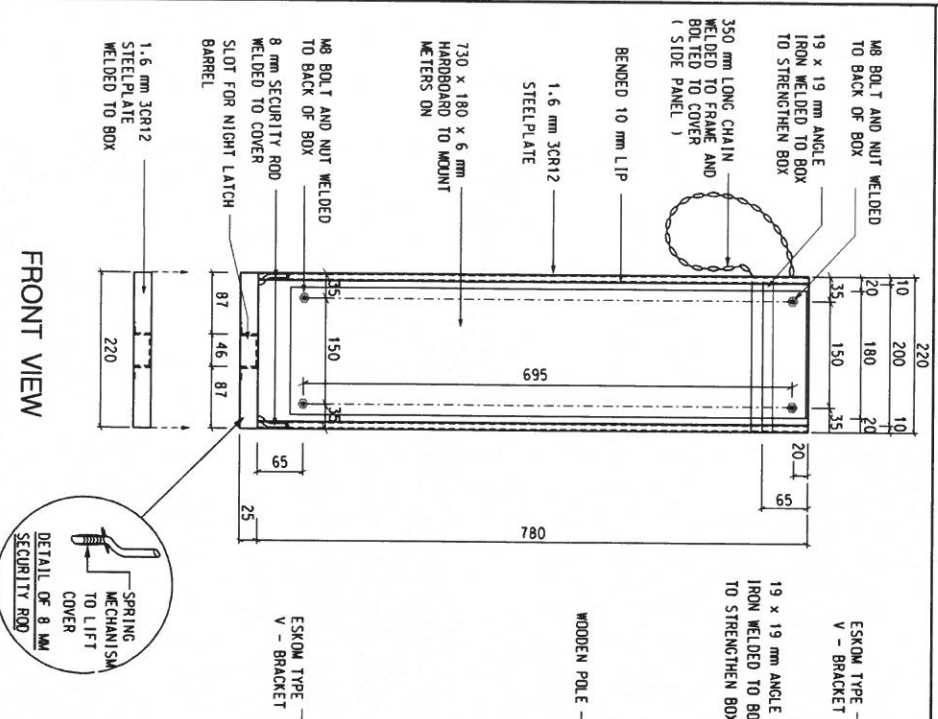
SUPPLY CHAIN MANAGEMENT UNIT

QOUTATION NO
QOUTATION PRICE
DISCOUNT: %
DELIVERY PERIOD
VAT NR:
COMPANY NAME
CONTACT NAME
POSTAL ADRESS
TEL
E MAIL ADRESS

DESCRIPTION	QTY
INVITATION OF QUOTATION FROM SUITABLE SERVICE PROVIDER	
BOX: 3 PHASE RURAL METER BOX	35
AS PER CENTLEC SPECIFICATION	

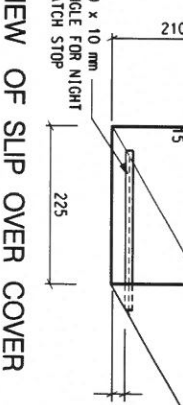
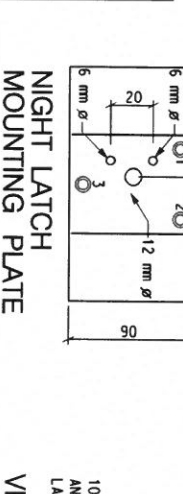
Documents are obtainable at **R50.00 non-refundable deposit** per set. (Deposit can be made at **ABSA BANK** Acc. No.: 407 820 9583, Branch Code: 632 005, Ref.: 501 204 260 2520 payable to CENTLEC (SoC) Ltd attention Supply Chain)

CENTLEEC (Pty) Ltd



NOTE :

1. ALL MEASUREMENTS TO BE VERIFIED WITH SUBMISSION OF SAMPLE
2. NIGHT LATCH MUST BARE THE SANS / SABS MARK OF APPROVAL AND BE FITTED WITH A BARREL THAT TAKE A VIRO BM44 KEY (SUPPLY WITHOUT A KEY)
3. REMOVE ALL BURS AND TREAT IN PASIVATION LIQUID



CENTLEEC (Pty) Ltd		DESIGNED	ONTWERP DATE	DATUM TERS	ERSTE CHECKED	NADESINNENWERK SER.	NETWERK DIENSTSTEL.SYS. OTTL.	STELSEL BEWIT.TITEL
PRAKTYSE NO. 2003/01062/07		C. WRIGHT	22 OKTOBER 2003	DRG. MAN	TEKNAAR	NADESINNENWERK SER.	NETWERK DIENSTSTEL.SYS. OTTL.	STELSEL BEWIT.TITEL
FAC. 031 - 402288		GETEKENSCALE	N T S	SKAAL	CHECKED	BEREKENING, SLIP. SERVICES	ENK. CO.M.	VOORSTELTER
FAC. 031 - 402288		N VERMUELEN		L. KARTZINGER		K V/D BERG		B. DE JAGER
REVISION DATE : 2004 / 04 / 23		POLEMOUNTED PREPAID METERBOX						
DRAWING N.:		TS - 5 - 49						
TEKENING NO. REV.:		VERBODEN						